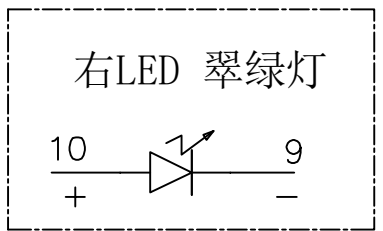
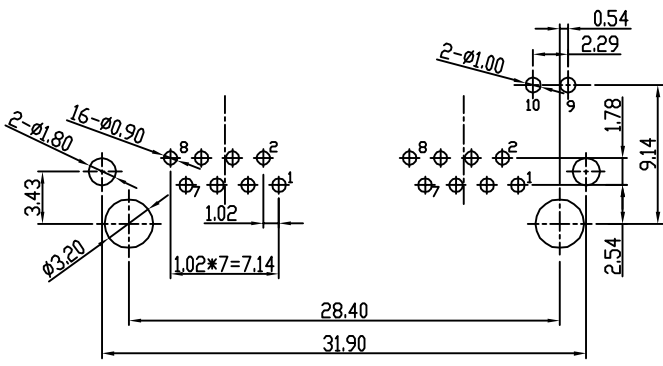
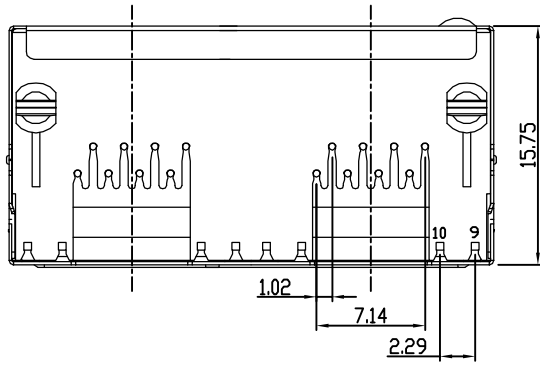
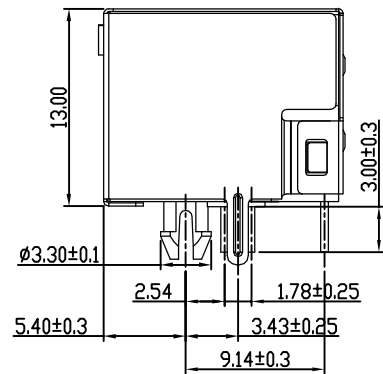
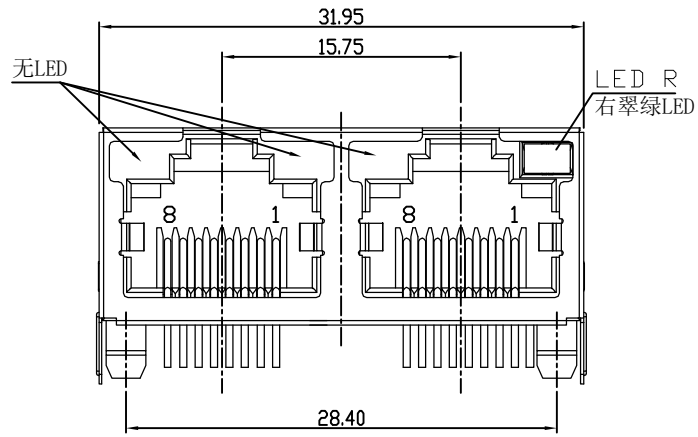


REV.	ECN.NO.	NAME	DATA
A0	NEW	MIN-D	2022-03-09



**SPECIFICATION NOTES:**

**ELECTRICAL:**

1. VOLTAGE RATING: 125 VAC RMS
2. CURRENT RATING: 1.5 AMP
3. CONTACT RESISTANCE: 30mΩ MAX.
4. INSULATION RESISTANCE: 500MΩMIN. AT 500V DC.
5. DIELECTRIC STRENGTH: 1000 VAC 50Hz 1MINUTE

**MECHANICAL:**

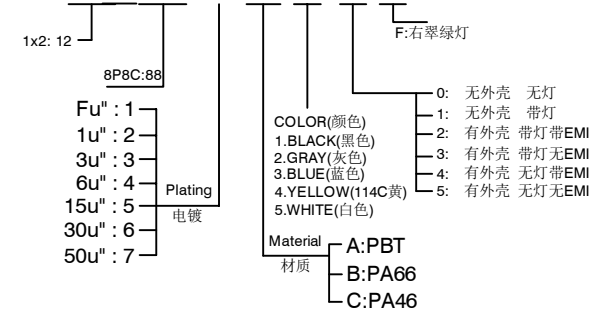
1. HOUSING MATERIAL: SEE PART NUMBER.
2. CONTACTS: 0.46mm PHOSPHOR BRONZE, GOLD PLATING OVER NICKEL
3. SHIELD: 0.20mm THICKNESS COPPER ALLOY WITH NICKEL PLATED.
4. OPERATING LIFE: 750 CYCLES MIN.
5. MATING FORCE: 30N MAX. UNMATING FORCE: 30N MAX.

**ENVIRONMENTAL:**

1. STORAGE: -40°C TO +85°C
2. OPERATION: -40°C TO +85°C

**PART NUMBER:**

**5J-XX 88 X X X 3-F**



Recommend PCB Layout  
(Jack Top View)  
TOLERANCES: ±0.05

派森特专用

DETACHED LISTS	MM (INCH)		绘图 (Designed) MIN-D 2022-03-09
	公差 TOLERANCES		
	MM .0 ± 0.20 .00 ± 0.15 0.00 ± 0.075	MM .0 ± 0.38 .00 ± 0.25 .000 ± 0.15	审核 (Checked)
	角度 (ANGLES) ± 1.5°		
	 第三角视图		批准 (Approved)
材料 (Material) SEE NOTES		材料 (SCALE) 1:1	

<b>XWJ</b> 东莞市欣旺久电子有限公司 XIN WANG JIU Electronics Co.,Ltd			
系列 (SERIES)	名称 (NAME)		
RJ	XWJ-5J 8P8C 1X2 全包 左无灯右单灯		
图号 (DWG NO.):		版本	A0
料号 (PART NO):		REV.	A0
单位 (UNIT):		共 (SHEET)	1 页 第 (OF) 1 页